

round rods

Diameters (mm)	Tolerances (1) on the diameters (mm)		Weights (2) - (kg/m)	
			natural	black
			40000000	40000100
5	+ 0.1	+ 0.4	● 0.025	○ 0.025
6			● 0.035	○ 0.035
8	+ 0.1	+ 0.5	● 0.063	○ 0.063
10			● 0.096	● 0.096
12			● 0.141	● 0.141
14	+ 0.2	+ 0.7	● 0.190	○ 0.190
15			● 0.217	○ 0.217
16			● 0.246	● 0.246
18			● 0.309	○ 0.309
20			● 0.380	● 0.380
22			● 0.462	○ 0.462
25	+ 0.2	+ 0.9	● 0.595	● 0.595
28			● 0.740	○ 0.740
30			● 0.850	● 0.850
32			● 0.970	● 0.970
36	+ 0.2	+ 1.1	● 1.22	● 1.22
40			● 1.50	● 1.50
45			● 1.91	● 1.91
50	+ 0.3	+ 1.3	● 2.35	● 2.35
56			● 2.93	● 2.93
60	+ 0.3	+ 1.6	● 3.38	● 3.38
65			● 3.95	○ 3.95
70			● 4.57	● 4.57
75	+ 0.4	+ 2	● 5.28	○ 5.28
80			● 5.99	● 5.99
85	+ 0.5	+ 2.2	● 6.78	○ 6.78
90			● 7.58	● 7.58
95	+ 0.6	+ 2.5	● 8.47	○ 8.47
100			● 9.37	● 9.37
110	+ 0.7	+ 3	● 11.35	○ 11.35
120	+ 0.8	+ 3.5	● 13.55	● 13.55
125			● 14.70	○ 14.70
130	+ 0.9	+ 3.8	● 15.90	○ 15.90
140			● 18.40	○ 18.40
150	+ 1	+ 4.2	● 21.15	● 21.15
160	+ 1.1	+ 4.5	● 24.10	○ 24.10
170	+ 1.2	+ 5	● 27.25	○ 27.25
180			● 30.45	● 30.45
190			● 34.00	○ 34.00
200	+ 1.3	+ 5.5	● 37.60	● 37.60
220			● 45.40	○ 45.40
250	+ 1.5	+ 6.2	● 58.55	○ 58.55
280	+ 1.6	+ 6.5	● 73.30	○ 73.30
300	+ 1.7	+ 7	● 84.20	○ 84.20
320	+ 1.8	+ 7.4	● 95.75	○ 95.75
Standard lengths (mm)			Tolerance (1) on the lengths (%)	
1000			0	
3000			+ 3	
Non-standard lengths (cut-to-size) : ○				

(1) : tolerances according to DIN 16980

(2) : average production weights

- : standard item (available from stock or with short delivery time)
- : non-standard item (manufactured on request)

PRODUCT CODE



round rods

Diameters (mm)	Tolerances (1) on the diameters (mm)		Weights (2) - (kg/m)	
			natural	black
			40004000	40004100
5	+ 0.1	+ 0.4	● 0.025	○ 0.025
6			● 0.035	○ 0.035
8	+ 0.1	+ 0.5	● 0.063	○ 0.063
10			● 0.096	● 0.096
12	+ 0.2	+ 0.7	● 0.141	● 0.141
14			○ 0.190	○ 0.190
15			● 0.217	○ 0.217
16			● 0.246	● 0.246
18			○ 0.309	○ 0.309
20			● 0.380	● 0.380
22	+ 0.2	+ 0.9	● 0.462	○ 0.462
25			● 0.595	● 0.595
28			○ 0.740	○ 0.740
30			● 0.850	● 0.850
32	+ 0.2	+ 1.1	● 0.970	○ 0.970
36			● 1.22	● 1.22
40			● 1.50	● 1.50
45	+ 0.3	+ 1.3	● 1.91	● 1.91
50			● 2.35	● 2.35
56			● 2.93	○ 2.93
60	+ 0.3	+ 1.6	● 3.38	● 3.38
65			● 3.95	○ 3.95
70			● 4.57	○ 4.57
75			● 5.28	○ 5.28
80	+ 0.4	+ 2	● 5.99	○ 5.99
85	+ 0.5	+ 2.2	● 6.78	○ 6.78
90			● 7.58	○ 7.58
95			● 8.47	○ 8.47
100	+ 0.6	+ 2.5	● 9.37	○ 9.37
110	+ 0.7	+ 3	● 11.35	-
120	+ 0.8	+ 3.5	● 13.55	-
125			● 14.70	-
130	+ 0.9	+ 3.8	● 15.90	-
140			● 18.40	-
150	+ 1	+ 4.2	● 21.15	-
160	+ 1.1	+ 4.5	● 24.10 (3)	-
170	+ 1.2	+ 5	○ 27.25 (3)	-
180			● 30.45 (3)	-
190	+ 1.3	+ 5.5	○ 34.00 (3)	-
200			● 37.60 (3)	-
220	+ 1.3	+ 5.8	○ 45.40 (3)	-
250	+ 1.5	+ 6.2	● 58.55 (3)	-
Standard lengths (mm)			Tolerance (1) on the lengths (%)	
1000			0 + 3	
3000				
Ground rods up to 70 mm Ø as well as non-standard lengths (cut-to-size) : ○				

(1) : tolerances according to DIN 16980

(2) : average production weights

(3) : these rods are made of ERTALON 66 SA-C, a modified polyamide 66

- : **standard** item (available from stock or with short delivery time)
- : **non-standard** item (manufactured on request)
- : not available

PRODUCT CODE

round rods

Diameters (mm)	Tolerances on the diameters (mm)		Weights (1) - (kg/m)	
			ERTALON 4.6	ERTALON 66-GF30
			40005500	40004500
5	+ 0.1	+ 0.4	○ 0.026	-
6			○ 0.037	-
8	+ 0.1	+ 0.5	○ 0.065	○ 0.072
10			● 0.100	● 0.111
12			○ 0.146	● 0.163
15	+ 0.2	+ 0.7	● 0.225	● 0.250
16			○ 0.256	● 0.283
18			○ 0.322	● 0.355
20			● 0.395	● 0.436
22			○ 0.480	○ 0.530
25	+ 0.2	+ 0.9	● 0.615	● 0.680
28			○ 0.770	○ 0.850
30			● 0.880	● 0.970
32			○ 1.01	○ 1.11
36	+ 0.2	+ 1.1	○ 1.27	● 1.40
40			● 1.57	● 1.72
45			○ 1.99	● 2.18
50	+ 0.3	+ 1.3	● 2.45	● 2.68
60			● 3.52	● 3.86
70	+ 0.3	+ 1.6	-	● 5.22
80			-	● 6.84
90			-	○ 8.66
100	+ 0.6	+ 2.5	-	● 10.70
110			-	○ 13.00
120	+ 0.8	+ 3.5	-	● 15.50
125			-	○ 16.80
130			-	● 18.20
140	+ 0.9	+ 3.8	-	○ 21.05
150			-	● 24.20
180	+ 1.2	+ 5	-	● 34.85
200	+ 1.3	+ 5.5	-	● 42.95
Standard lengths (mm)			Tolerance on the lengths (%)	
1000			0	
3000			+ 3	
Non-standard lengths (cut-to-size) : ○				

(1) : average production weights

- : standard item (available from stock or with short delivery time)
- : non-standard item (manufactured on request)
- : not available

PRODUCT CODE



round rods

Diameters (mm)	Tolerances on the diameters (mm)	Lengths (mm)	Weights (1) - (kg/m)			
			ERTALON 6 PLA		ERTALON 6 XAU+	ERTALON LFX
			natural	black		
			40042000	40042100	40050000	40055000
50		1000 / 3000	● 2.39	● 2.39	● 2.39	● 2.36
56	+ 0.5 + 1.5	1000 / 3000	● 2.99	● 2.99	● 2.99	● 2.95
60		1000 / 3000	● 3.44	● 3.44	● 3.44	● 3.40
65	+ 0.5 + 1.8	1000 / 3000	● 4.03	● 4.03	● 4.03	● 3.98
70		1000 / 3000	● 4.66	● 4.66	● 4.66	● 4.60
75		1000 / 3000	● 5.39	● 5.39	● 5.39	● 5.32
80	+ 0.7 + 2.3	1000 / 3000	● 6.12	● 6.12	● 6.12	● 6.04
85		1000 / 3000	● 6.95	● 6.95	● 6.95	○ 6.85
90	+ 1 + 2.7	1000 / 3000	● 7.77	● 7.77	● 7.77	● 7.67
95		1000 / 3000	● 8.65	● 8.65	● 8.65	○ 8.54
100	+ 1 + 2.9	1000 / 3000	● 9.57	● 9.57	● 9.57	● 9.45
105	+ 1.5 + 5	1000	● 10.80	● 10.80	○ 10.80	○ 10.65
110	+ 1 + 3.3	1000 / 3000	● 11.60	● 11.60	● 11.60	● 11.45
115	+ 1.5 + 5	1000	● 12.85	● 12.85	○ 12.85	○ 12.70
120		1000 / 3000	● 13.80	● 13.80	● 13.80	● 13.65
125	+ 1.1 + 3.8	1000 / 3000	● 14.95	● 14.95	● 14.95	● 14.75
130	+ 1.2 + 4.1	1000 / 3000	● 16.20	● 16.20	● 16.20	● 16.00
135	+ 1.5 + 5	1000	● 17.60	● 17.60	○ 17.60	○ 17.35
140	+ 1.2 + 4.1	1000 / 3000	● 18.75	● 18.75	● 18.75	● 18.50
145	+ 1.5 + 5	1000	● 20.25	● 20.25	○ 20.25	○ 19.95
150	+ 1.3 + 4.5	1000 / 3000	● 21.55	● 21.55	● 21.55	● 21.25
160		1000	● 24.90	● 24.90	● 24.90	● 24.60
170		1000	● 28.05	● 28.05	● 28.05	○ 27.65
180	+ 2 + 7	1000	● 31.35	● 31.35	● 31.35	● 30.95
190		1000	● 34.85	● 34.85	● 34.85	○ 34.40
200		1000	● 38.50	● 38.50	● 38.50	● 38.00
210		500 / 1000	● 42.95	● 42.95	○ 42.95	○ 42.40
220		500 / 1000	● 47.05	● 47.05	● 47.05	○ 46.40
230		500 / 1000	● 51.30	● 51.30	○ 51.30	○ 50.60
240		500 / 1000	● 55.70	● 55.70	● 55.70	○ 55.00
250	+ 3 + 9	500 / 1000	● 60.35	● 60.35	● 60.35	○ 59.55
260		500 / 1000	● 65.15	● 65.15	● 65.15	○ 64.30
270		500 / 1000	● 70.15	● 70.15	○ 70.15	○ 69.25
280		500 / 1000	● 75.30	● 75.30	● 75.30	○ 74.35
290		500 / 1000	● 80.65	● 80.65	○ 80.65	○ 79.60
300		500 / 1000	● 86.20	● 86.20	● 86.20	○ 85.10
325		500 / 1000	● 101.8	● 101.8	● 101.8	○ 100.5
350	+ 4 + 11	500 / 1000	● 117.7	● 117.7	● 117.7	○ 116.1
375		500 / 1000	● 134.7	● 134.7	○ 134.7	○ 133.0
400		500 / 1000	● 152.9	● 152.9	● 152.9	○ 150.9
425		500 / 1000	● 173.4	● 173.4	○ 173.4	○ 171.2
450	+ 5 + 13	500 / 1000	● 194.0	● 194.0	● 194.0	○ 191.5
475		500 / 1000	○ 215.7	○ 215.7	○ 215.7	○ 212.9
500		500 / 1000	● 238.5	● 238.5	● 238.5	○ 235.4
Standard lengths (mm)			Tolerance on the lengths (%)			
500 1000 3000			0 + 3			
Ground rods up to 70 mm Ø (only available in lengths of 1000 mm) as well as non-standard lengths (cut-to-size) : ○						

(1) : average production weights

- : **standard** item (available from stock or with short delivery time)
- : **non-standard** item (manufactured on request)

PRODUCT CODE

**NYLATRON MC 901
NYLATRON GSM
NYLATRON NSM**

round rods

Diameters (mm)	Tolerances on the diameters (mm)		Lengths (mm)	Weights (1) - (kg/m)		
				NYLATRON MC 901	NYLATRON GSM	NYLATRON NSM
				40042200	40042300	40043500
50	+ 0.5	+ 1.5	1000 / 3000	● 2.39	● 2.41	● 2.38
56			1000 / 3000	● 2.99	● 3.00	● 2.98
60	+ 0.5	+ 1.8	1000 / 3000	● 3.44	● 3.46	● 3.43
65			1000 / 3000	● 4.03	● 4.05	● 4.01
70			1000 / 3000	● 4.66	● 4.68	● 4.64
75	+ 0.7	+ 2.7	1000 / 3000	● 5.39	● 5.41	● 5.37
80			1000 / 3000	● 6.12	● 6.14	● 6.09
85	+ 1	+ 2.7	1000 / 3000	● 6.95	● 6.98	● 6.92
90			1000 / 3000	● 7.77	● 7.80	● 7.73
95	+ 1	+ 2.9	1000 / 3000	● 8.65	● 8.69	● 8.62
100			1000 / 3000	● 9.57	● 9.61	● 9.53
105	+ 1.5	+ 5	1000	○ 10.80	○ 10.85	○ 10.75
110	+ 1	+ 3.3	1000 / 3000	● 11.60	● 11.65	● 11.55
115	+ 1.5	+ 5	1000	○ 12.85	○ 12.95	○ 12.80
120	+ 1.1	+ 3.8	1000 / 3000	● 13.80	● 13.85	● 13.75
125			1000 / 3000	● 14.95	● 15.00	● 14.90
130	+ 1.2	+ 4.1	1000 / 3000	● 16.20	● 16.25	● 16.15
135	+ 1.5	+ 5	1000	○ 17.60	○ 17.65	○ 17.50
140	+ 1.2	+ 4.1	1000 / 3000	● 18.75	● 18.80	● 18.65
145	+ 1.5	+ 5	1000	○ 20.25	○ 20.30	○ 20.15
150	+ 1.3	+ 4.5	1000 / 3000	● 21.55	● 21.60	● 21.45
160	+ 2	+ 7	1000	● 24.90	● 25.00	● 24.80
170			1000	● 28.05	● 28.15	● 27.90
180			1000	● 31.35	● 31.50	● 31.20
190			1000	● 34.85	● 35.00	● 34.70
200			1000	● 38.50	● 38.65	● 38.35
210	+ 3	+ 9	500 / 1000	○ 42.95	○ 43.15	○ 42.75
220			500 / 1000	● 47.05	● 47.25	● 46.80
230			500 / 1000	○ 51.30	○ 51.50	○ 51.05
240			500 / 1000	● 55.70	● 55.95	● 55.50
250			500 / 1000	● 60.35	● 60.60	● 60.10
260			500 / 1000	● 65.15	● 65.45	● 64.85
270			500 / 1000	○ 70.15	○ 70.45	○ 69.85
280			500 / 1000	● 75.30	● 75.65	● 75.00
290			500 / 1000	○ 80.65	○ 81.00	○ 80.30
300			500 / 1000	● 86.20	● 86.60	● 85.85
325	+ 4	+ 11	500 / 1000	● 101.8	● 102.2	● 101.4
350			500 / 1000	● 117.7	● 118.2	● 117.2
375			500 / 1000	● 134.7	● 135.3	● 134.1
400			500 / 1000	● 152.9	● 153.6	● 152.2
425	+ 5	+ 13	500 / 1000	● 173.4	● 174.2	● 172.7
450			500 / 1000	● 194.0	● 194.8	● 193.1
475			500 / 1000	○ 215.7	○ 216.6	○ 214.8
500			500 / 1000	● 238.5	● 239.6	● 237.5

Standard lengths (mm)

500

1000

3000

Tolerance on the lengths (%)

0 + 3

Ground rods up to 70 mm Ø (only available in lengths of 1000 mm) as well as non-standard lengths (cut-to-size) : ○

(1) : average production weights

- : standard item (available from stock or with short delivery time)
- : non-standard item (manufactured on request)

PRODUCT CODE

ERTALON® & NYLATRON®



round rods

Diameters (mm)	Tolerances (1) on the diameters (mm)		Weights (2) (kg/m)
			40004400
6	+ 0.1	+ 0.4	● 0.036
8	+ 0.1	+ 0.5	● 0.064
10			● 0.098
12			● 0.144
15	+ 0.2	+ 0.7	● 0.221
16			● 0.251
18			● 0.315
20			● 0.387
22			● 0.471
25	+ 0.2	+ 0.9	● 0.605
28			● 0.755
30			● 0.860
32			● 0.985
35	+ 0.2	+ 1.1	● 1.17
40			● 1.52
45			● 1.94
50	+ 0.3	+ 1.3	● 2.38
Standard lengths (mm)		Tolerance (1) on the lengths (%)	
1000		0 + 3	
3000			
Ground rods as well as non-standard lengths (cut-to-size) : ○			

(1) : tolerances according to DIN 16980
 (2) : average production weights

● : **standard** item (available from stock or with short delivery time)
 ○ : **non-standard** item (manufactured on request)

PRODUCT CODE

plates

Thicknesses (mm)	Tolerances (1) on the thicknesses (mm)		Weights (2) (kg/m)
			40004404
8	+ 0.2	+ 0.9	■ 6.26
10			■ 7.73
12			■ 9.44
16	+ 0.3	+ 1.5	■ 12.40
20			■ 15.35
25			■ 19.00
30			■ 23.10
35	+ 0.5	+ 2.5	■ 26.75
40			■ 30.45
45			□ 34.15
50			■ 37.80
			□
Standard sizes (mm)		Tolerances (1) on width and lengths	
610 x 1000		Width : + 5 mm + 25 mm	
610 x 3000		Lengths : 0 + 3 %	
Cut-to-size products : □			

(1) : tolerances according to DIN 16986
 (2) : average production weights

■ : **standard** item (available from stock or with short delivery time)
 □ : **non-standard** item (manufactured on request)

PRODUCT CODE

sheets

Thicknesses (mm)	Tolerances (1) on the thicknesses (mm)		Weights (2) - (kg/m ²)		
			ERTALON 6 SA		ERTALON 66 SA
			Coils (3)	Plates (4) 1000 x 1000 mm 1000 x 2000 mm	Plates (4) 1000 x 1000 mm 1000 x 2000 mm
			40000003	40004003	
0.5	- 0.02	+ 0.08	■ 0.630	-	-
0.8	- 0.05	+ 0.10	■ 0.990	-	-
1	- 0.10	+ 0.10	■ 1.17	■ 1.17	-
1.5	- 0.15	+ 0.15	■ 1.76	■ 1.76	-
2			-	■ 2.35	■ 2.35
2.5			-	■ 2.94	-
3	- 0.20	+ 0.20	-	■ 3.52	■ 3.52
4			-	■ 4.70	■ 4.70
5			-	■ 5.87	■ 5.87
6	- 0.25	+ 0.25	-	■ 7.05	■ 7.05
			40000004	40004004	
8	+ 0.20	+ 0.90	-	■ 10.15	-

(1) : tolerances according to DIN 16984

(2) : average production weights

(3) : a coil contains approx. 50 kg of material; width : 1000 (0 + 30) mm

(4) : tolerance on width and lengths : 0 + 3%

■ : **standard** item (available from stock or with short delivery time)

- : not available

PRODUCT CODE

ERTALON 6 SA natural / black

plates

Thicknesses (mm)	Tolerances (1) on the thicknesses (mm)		Weights (2) - (kg/m)	
			natural 40000004	black 40000104
8	+ 0.2	+ 0.9	■ 6.28	■ 6.28
10			■ 7.73	■ 7.73
12			■ 9.34	■ 9.34
15	+ 0.3	+ 1.5	■ 11.50	■ 11.50
16			■ 12.25	□ 12.25
18			■ 13.70	□ 13.70
20			■ 15.15	■ 15.15
25			■ 18.75	■ 18.75
30			■ 22.80	■ 22.80
35	+ 0.5	+ 2.5	■ 26.45	□ 26.45
40			■ 30.05	■ 30.05
45			■ 33.70	□ 33.70
50			■ 37.30	■ 37.30
60			■ 44.90	□ 44.90
70	+ 0.5	+ 3.5	■ 52.15	□ 52.15
80	+ 0.5	+ 5	■ 59.95	□ 59.95
90			■ 67.20	□ 67.20
100			■ 74.45	□ 74.45
Standard sizes (mm) 610 x 1000 610 x 3000			Tolerances (1) on width and lengths Width : + 5 mm + 25 mm Lengths : 0 + 3%	
Cut-to-size products : □				

(1) : tolerances according to DIN 16986

(2) : average production weights

■ : **standard** item (available from stock or with short delivery time)

□ : **non-standard** item (manufactured on request)

PRODUCT CODE



plates

Thicknesses (mm)	Tolerances (1) on the thicknesses (mm)		Weights (2) - (kg/m)	
			natural	black
			40004004	40004104
8	+ 0.2	+ 0.9	■ 6.15	□ 6.15
10			■ 7.59	□ 7.59
12	+ 0.3	+ 1.5	■ 9.28	□ 9.28
15			■ 11.45	□ 11.45
16			■ 12.15	□ 12.15
20			■ 15.05	□ 15.05
25			■ 18.65	□ 18.65
30	+ 0.5	+ 2.5	■ 22.65	□ 22.65
35			■ 26.25	□ 26.25
40			■ 29.85	□ 29.85
45			□ 33.45	□ 33.45
50			■ 37.05	□ 37.05
60	+ 0.5	+ 3.5	■ 44.60	□ 44.60
70			□ 51.80	□ 51.80
80	+ 0.5	+ 5	□ 59.55	□ 59.55
90			□ 66.75	□ 66.75
100			□ 73.95	□ 73.95
Standard sizes (mm)			Tolerances (1) on width and lengths	
610 x 1000			Width : + 5 mm + 25 mm	
610 x 3000			Lengths : 0 + 3 %	
Cut-to-size products : □				

(1) : tolerances according to DIN 16986
 (2) : average production weights

■ : **standard** item (available from stock or with short delivery time)
 □ : **non-standard** item (manufactured on request)

PRODUCT CODE

ERTALON 4.6
 ERTALON 66-GF30

plates

Thicknesses (mm)	Tolerances on the thicknesses (mm)		Weights (1) - (kg/m)		
			ERTALON 4.6		ERTALON 66-GF30
			width = 500 mm	width = 610 mm	width = 625 mm
			40005504		40004504
10	+ 0.2	+ 0.9	-	■ 8.05	■ 8.84
15			-	■ 12.15	■ 13.30
20	+ 0.3	+ 1.5	-	■ 15.90	■ 17.50
25			-	■ 19.70	■ 21.70
30			-	■ 24.00	■ 26.40
40	+ 0.5	+ 2.5	-	■ 31.55	■ 34.80
50			■ 32.20	(2) 39.10	■ 43.15
60	+ 0.5	+ 3.5	-	-	■ 51.95
70			-	-	□ 60.35
80	+ 0.5	+ 5	-	-	■ 69.35
90			-	-	□ 77.70
100			-	-	■ 86.10
Standard sizes (mm)			Tolerances on widths and lengths		
ERTALON 4.6		ERTALON 66-GF30	Widths : + 5 mm + 25 mm Lengths : 0 + 3 %		
500/610 x 1000	625 x 1000				
500/610 x 3000	625 x 3000				
Cut-to-size products : □					

(1) : average production weights
 (2) : in development. Please consult us.

■ : **standard** item (available from stock or with short delivery time)
 □ : **non-standard** item (manufactured on request)
 - : not available

PRODUCT CODE

plates

Thicknesses (mm)	Tolerances on the thicknesses (mm)		Weights (1) - (kg/piece)					
			Standard sizes (mm)					
			610 x 1220		1220 x 2000		1220 x 2440	
			natural : 40042004 / black : 4042104					
		natural	black	natural	black	natural	black	
8 (2)	+ 0.5	+ 1.2	-	-	-	-	-	
10			□ 9.60	□	■ 31.60	■	■ 38.65	■
12	+ 0.5	+ 1.7	■ 11.65	■	■ 38.30	■	■ 46.85	
16			■ 15.15	■	■ 49.85	■	■ 60.95	
20			■ 18.65	■	■ 61.35	■	■ 75.05	
25			■ 23.05	■	■ 75.80	■	■ 92.65	
30			■ 27.90	■	■ 91.70	■	■ 112.2	
35	+ 0.5	+ 2.5	□ 32.25	□	■ 106.1	■	■ 129.8	
40			■ 36.65	■	■ 120.5	■	■ 147.4	
45			□ 41.00	□	■ 134.9	■	■ 165.0	
50			■ 45.40	■	■ 149.4	■	■ 182.6	
55			□ 50.35	□	■ 165.7	■	■ 202.6	
60	+ 0.5	+ 3.5	■ 54.75	■	■ 180.1	■	■ 220.2	
65			□ 59.10	□	■ 194.5	■	■ 237.8	
70			■ 63.50	■	■ 208.9	■	■ 255.4	
75	+ 0.5	+ 4.5	□ 67.90	□	■ 223.3	■	■ 273.1	
80			■ 72.25	■	■ 237.7	■	■ 290.7	
90			■ 81.00	■	■ 266.5	■	■ 325.9	
100			■ 89.75	■	■ 295.3	■	■ 361.1	

Tolerances on widths and lengths (mm) : 610 (0 + 10) x 1220 (+ 10 + 20)
 1220 (+ 10 + 20) x 2000 (+ 10 + 30)
 1220 (+ 10 + 20) x 2440 (+ 20 + 40)

Cut-to-size products : □

(1) : average production weights
 (2) : please note that 8 mm thick nylon 6 plates (1000 x 1000) and (1000 x 2000) mm are available as **standard** items in ERTALON 6 SA natural; see page 15

■ : **standard** item (available from stock or with short delivery time)
 □ : **non-standard** item (manufactured on request)
 - : not available

PRODUCT CODE

ERTALON 6 XAU+

plates

Thicknesses (mm)	Tolerances on the thicknesses (mm)		Weights (1) - (kg/piece)					
			Standard sizes (mm)					
			610 x 1220		1220 x 2000		1220 x 2440	
			40050004					
		natural	black	natural	black	natural	black	
8 (2)	+ 0.5	+ 1.2	□ 7.85	-	□ 31.60	-	□ 31.60	
10			■ 9.60	□	■ 31.60	■	■ 38.65	
12	+ 0.5	+ 1.7	■ 11.65	□	■ 38.30	■	■ 46.85	
16			■ 15.15	□	■ 49.85	■	■ 60.95	
20			■ 18.65	■	■ 61.35	■	■ 75.05	
25			■ 23.05	■	■ 75.80	■	■ 92.65	
30			■ 27.90	■	■ 91.70	■	■ 112.2	
35	+ 0.5	+ 2.5	■ 32.25	□	■ 106.1	■	■ 129.8	
40			■ 36.65	■	■ 120.5	■	■ 147.4	
45			□ 41.00	□	■ 134.9	■	■ 165.0	
50			■ 45.40	■	■ 149.4	■	■ 182.6	
55			□ 50.35	□	■ 165.7	■	■ 202.6	
60	+ 0.5	+ 3.5	■ 54.75	□	■ 180.1	■	■ 220.2	
65			□ 59.10	□	■ 194.5	■	■ 237.8	
70			■ 63.50	□	■ 208.9	■	■ 255.4	
75	+ 0.5	+ 4.5	□ 67.90	□	■ 223.3	■	■ 273.1	
80			■ 72.25	□	■ 237.7	■	■ 290.7	
90			■ 81.00	□	■ 266.5	■	■ 325.9	
100			■ 89.75	□	■ 295.3	■	■ 361.1	

Tolerances on widths and lengths (mm) : 610 (0 + 10) x 1220 (+ 10 + 20)
 1220 (+ 10 + 20) x 2000 (+ 10 + 30)
 1220 (+ 10 + 20) x 2440 (+ 20 + 40)

Cut-to-size products : □

(1) : average production weights
 (2) : planed from 10 mm thick plate

■ : **standard** item (available from stock or with short delivery time)
 □ : **non-standard** item (manufactured on request)
 - : not available

PRODUCT CODE



plates

Thicknesses (mm)	Tolerances on the thicknesses (mm)	Weights (1) - (kg/piece)		
		Standard sizes (mm)		
		610 x 1220	1220 x 2000	1220 x 2440
40055004				
8 (2)	+ 0.5 + 1.2	□ 7.75	-	□ 31.20
10		■ 9.48	□ 31.20	■ 38.15
12		■ 11.50	□ 37.80	■ 46.25
16	+ 0.5 + 1.7	■ 14.95	□ 49.20	■ 60.15
20		■ 18.40	□ 60.60	■ 74.05
25		■ 22.75	□ 74.80	■ 91.45
30		■ 27.50	□ 90.55	■ 110.7
35	+ 0.5 + 2.5	■ 31.85	□ 104.8	■ 128.1
40		■ 36.15	□ 119.0	■ 145.5
45		□ 40.50	□ 133.2	□ 162.9
50		■ 44.80	□ 147.4	■ 180.3
55		□ 49.70	□ 163.5	□ 200.0
60	+ 0.5 + 3.5	■ 54.05	□ 177.7	■ 217.3
65		□ 58.35	□ 192.0	□ 234.7
70		■ 62.65	□ 206.2	■ 252.1
75	+ 0.5 + 4.5	□ 67.00	□ 220.4	□ 269.5
80		■ 71.30	□ 234.6	■ 286.9
90		■ 79.95	□ 263.1	■ 321.7
100		■ 88.60	□ 291.5	■ 356.4
Tolerances on widths and lengths (mm) : 610 (0 + 10) x 1220 (+ 10 + 20) 1220 (+ 10 + 20) x 2000 (+ 10 + 30) 1220 (+ 10 + 20) x 2440 (+ 20 + 40)				
Cut-to-size products : □				

(1) : average production weights
(2) : planed from 10 mm thick plate

■ : **standard** item (available from stock or with short delivery time)
□ : **non-standard** item (manufactured on request)
- : not available

PRODUCT CODE

NYLATRON MC 901

plates

Thicknesses (mm)	Tolerances on the thicknesses (mm)		Weights (1) - (kg/piece)		
			Standard sizes (mm)		
			610 x 1220	1220 x 2000	1220 x 2440
40042204					
10	+ 0.5	+ 1.2	□ 9.60	□ 31.60	□ 38.65
12	+ 0.5	+ 1.7	□ 11.65	□ 38.30	□ 46.85
16			□ 15.15	□ 49.85	□ 60.95
20			□ 18.65	□ 61.35	□ 75.05
25			□ 23.05	□ 75.80	□ 92.65
30	+ 0.5	+ 2.5	□ 27.90	□ 91.70	□ 112.2
35			□ 32.25	□ 106.1	□ 129.8
40			□ 36.65	□ 120.5	□ 147.4
45			□ 41.00	□ 134.9	□ 165.0
50			□ 45.40	□ 149.4	□ 182.6
55	+ 0.5	+ 3.5	□ 50.35	□ 165.7	□ 202.6
60			□ 54.75	□ 180.1	□ 220.2
65			□ 59.10	□ 194.5	□ 237.8
70	+ 0.5	+ 4.5	□ 63.50	□ 208.9	□ 255.4
75			□ 67.90	□ 223.3	□ 273.1
80			□ 72.25	□ 237.7	□ 290.7
90			□ 81.00	□ 266.5	□ 325.9
100			□ 89.75	□ 295.3	□ 361.1
Tolerances on widths and lengths (mm) : 610 (0 + 10) x 1220 (+ 10 + 20) 1220 (+ 10 + 20) x 2000 (+ 10 + 30) 1220 (+ 10 + 20) x 2440 (+ 20 + 40)					
Cut-to-size products : □					

(1) : average production weights

□ : non-standard item (manufactured on request)

PRODUCT CODE

NYLATRON GSM

plates

Thicknesses (mm)	Tolerances on the thicknesses (mm)		Weights (1) - (kg/piece)		
			Standard sizes (mm)		
			610 x 1220	1220 x 2000	1220 x 2440
40042304					
10	+ 0.5	+ 1.2	□ 9.65	■ 31.75	□ 38.80
12	+ 0.5	+ 1.7	□ 11.70	■ 38.50	□ 47.05
16			□ 15.20	■ 50.05	□ 61.20
20			□ 18.75	■ 61.65	□ 75.35
25			□ 23.15	■ 76.10	□ 93.05
30	+ 0.5	+ 2.5	□ 28.00	■ 92.10	□ 112.6
35			□ 32.40	■ 106.6	□ 130.3
40			□ 36.80	■ 121.1	□ 148.0
45			□ 41.20	■ 135.5	□ 165.7
50			□ 45.60	■ 150.0	□ 183.4
55	+ 0.5	+ 3.5	□ 50.60	■ 166.4	□ 203.5
60			□ 55.00	■ 180.9	□ 221.2
65			□ 59.35	■ 195.3	□ 238.9
70	+ 0.5	+ 4.5	□ 63.75	■ 209.8	□ 256.5
75			□ 68.15	■ 224.3	□ 274.2
80			□ 72.55	■ 238.7	□ 291.9
90			□ 81.35	■ 267.7	□ 327.3
100			□ 90.15	■ 296.6	□ 362.7
Tolerances on widths and lengths (mm) : 610 (0 + 10) x 1220 (+ 10 + 20) 1220 (+ 10 + 20) x 2000 (+ 10 + 30) 1220 (+ 10 + 20) x 2440 (+ 20 + 40)					
Cut-to-size products : □					

(1) : average production weights

■ : standard item (available from stock or with short delivery time)

□ : non-standard item (manufactured on request)

PRODUCT CODE



plates

Thicknesses (mm)	Tolerances on the thicknesses (mm)		Weights (1) - (kg/piece)		
			Standard sizes (mm)		
			610 x 1220	1220 x 2000	1220 x 2440
			40043504		
10	+ 0.5	+ 1.2	□ 9.56	■ 31.45	□ 38.45
12	+ 0.5	+ 1.7	□ 11.60	■ 38.15	□ 46.65
16			□ 15.10	■ 49.65	□ 60.70
20			□ 18.55	■ 61.10	□ 74.70
25			□ 22.95	■ 75.45	□ 92.25
30	+ 0.5	+ 2.5	□ 27.75	■ 91.35	□ 111.7
35			□ 32.10	■ 105.7	□ 129.2
40			□ 36.50	■ 120.0	□ 146.8
45			□ 40.85	■ 134.4	□ 164.3
50			□ 45.20	■ 148.7	□ 181.8
55	+ 0.5	+ 3.5	□ 50.15	■ 165.0	□ 201.7
60			□ 54.50	■ 179.3	□ 219.3
65			□ 58.85	■ 193.7	□ 236.8
70	+ 0.5	+ 4.5	□ 63.20	■ 208.0	□ 254.3
75			□ 67.60	■ 222.3	□ 271.9
80			□ 71.95	■ 236.7	□ 289.4
90			□ 80.65	■ 265.4	□ 324.5
100			□ 89.40	■ 294.1	□ 359.6
Tolerances on widths and lengths (mm) : 610 (0 + 10) x 1220 (+ 10 + 20) 1220 (+ 10 + 20) x 2000 (+ 10 + 30) 1220 (+ 10 + 20) x 2440 (+ 20 + 40)					
Cut-to-size products : □					

(1) : average production weights

- : **standard** item (available from stock or with short delivery time)
- : **non-standard** item (manufactured on request)

PRODUCT CODE



ERTALON 6 SA natural / black
ERTALON 66 SA natural

tubes

Diameters (mm)		Tolerances (1) on the diameters (mm)				Weights (2) - (kg/m)				
						ERTALON 6 SA		ERTALON 66 SA		
						natural	black	natural		
O.D. x I.D.	O.D.	I.D.	40000007	40000107	40004007					
20 x 10	+ 0.4	+ 1.1	- 0.4	- 1.1	○ 0.314	○ 0.314	○ 0.314			
					○ 0.207	⊙ 0.207	⊙ 0.207			
○ 0.393					⊙ 0.393	⊙ 0.393				
○ 0.488					○ 0.488	○ 0.488				
○ 0.418					⊙ 0.418	⊙ 0.418				
○ 0.332					⊙ 0.332	⊙ 0.332				
○ 0.635					○ 0.635	⊙ 0.635				
○ 0.414					⊙ 0.414	⊙ 0.414				
○ 0.675					⊙ 0.675	○ 0.675				
○ 0.525					⊙ 0.525	⊙ 0.525				
20 x 15	+ 0.6	+ 2	- 0.6	- 2	○ 0.835	○ 0.835	⊙ 0.835			
					○ 0.690	⊙ 0.690	○ 0.690			
○ 0.497					⊙ 0.497	⊙ 0.497				
○ 1.04					○ 1.04	⊙ 1.04				
○ 0.755					⊙ 0.755	○ 0.755				
○ 1.23					○ 1.23	⊙ 1.23				
○ 1.04					⊙ 1.04	○ 1.04				
○ 0.800					⊙ 0.800	⊙ 0.800				
○ 1.63					⊙ 1.63	-				
○ 1.44					⊙ 1.44	⊙ 1.44				
○ 1.20	○ 1.20	⊙ 1.20								
○ 0.915	⊙ 0.915	○ 0.915								
○ 2.07	⊙ 2.07	-								
○ 1.88	⊙ 1.88	-								
○ 1.64	○ 1.64	○ 1.64								
○ 1.03	⊙ 1.03	○ 1.03								
25 x 25	+ 0.8	+ 2.5	- 0.8	- 2.5	○ 2.42	⊙ 2.42	-			
					○ 1.91	⊙ 1.91	⊙ 1.91			
○ 2.72					⊙ 2.72	⊙ 2.72				
○ 2.12					⊙ 2.12	○ 2.12				
○ 2.75					⊙ 2.75	⊙ 2.75				
○ 3.98					⊙ 3.98	⊙ 3.98				
○ 3.38					⊙ 3.38	⊙ 3.38				
○ 2.60					⊙ 2.60	○ 2.60				
○ 4.66					⊙ 4.66	-				
○ 3.27					⊙ 3.27	-				
○ 4.78	⊙ 4.78	⊙ 4.78								
○ 3.99	⊙ 3.99	⊙ 3.99								
○ 3.03	⊙ 3.03	⊙ 3.03								
30 x 40	+ 1.2	+ 3.6	- 1.6	- 5	○ 6.53	⊙ 6.53	⊙ 6.53			
					○ 5.78	⊙ 5.78	⊙ 5.78			
○ 4.84					⊙ 4.84	⊙ 4.84				
○ 8.31					⊙ 8.31	⊙ 8.31				
○ 7.55					⊙ 7.55	⊙ 7.55				
○ 6.61					⊙ 6.61	⊙ 6.61				
○ 4.18					⊙ 4.18	○ 4.18				
Standard lengths (mm)					Tolerance on the lengths (%)					
1000					0 + 3					
3000					0 + 3					
Non-standard lengths (cut-to-size) : ⊙										

(1) : tolerances according to DIN 16983
 (2) : average production weights

○ : standard item (available from stock or with short delivery time)
 ⊙ : non-standard item (manufactured on request)
 - : not available

PRODUCT CODE

ERTALON® & NYLATRON®



tubes

Diameters (mm) O.D. x I.D.	Tolerances (1) on the diameters (mm)				Weights (2) (kg/m) 40004407
	O.D.		I.D.		
20 x 10	+ 0.4	+ 1.1	- 0.4	- 1.1	○ 0.325
25 x 15					○ 0.433
30 x 15					○ 0.695
20					○ 0.540
36 x 20	+ 0.6	+ 2	- 0.6	- 2	○ 0.980
25					○ 0.790
40 x 25					○ 1.08
30					○ 0.840
45 x 25					○ 1.48
30					○ 1.25
35	○ 0.960				
50 x 30	+ 0.8	+ 2.5	- 0.8	- 2.5	○ 1.70
35					○ 1.41
40					○ 1.08
60 x 45	+ 0.8	+ 3	- 0.8	- 3	○ 1.83
50					○ 1.41
65 x 50	+ 0.8	+ 3	- 0.8	- 3	○ 2.06
55					○ 1.60
66 x 53					○ 1.92
Standard lengths (mm)			Tolerance on the lengths (%)		
1000			0 + 3		
3000					
Non-standard lengths (cut-to-size) : ☉					

(1) : tolerances according to DIN 16983
 (2) : average production weights

○ : **standard** item (available from stock or with short delivery time)
 ☉ : **non-standard** item (manufactured on request)

PRODUCT CODE

tubes (*)

I.D. (mm)	Weights (1) (2) - (kg/piece)									
	O.D. (mm)									
	50	56	60	65	70	75	80	85	90	95
20	4.40	5.46	-	-	-	-	-	-	-	-
25	4.04	5.10	5.99	7.22	8.47	9.81	11.25	13.10	-	-
30	-	4.65	5.54	6.77	8.01	9.36	10.80	12.70	14.30	-
35	-	4.11	5.00	6.23	7.47	8.82	10.25	12.15	13.80	15.55
40	-	-	4.36	5.60	6.84	8.18	9.64	11.55	13.20	14.90
45	-	-	-	4.87	6.12	7.46	8.91	10.85	12.50	14.20
50	-	-	-	4.06	5.30	6.65	8.10	10.05	11.70	13.45
55	-	-	-	-	4.40	5.75	7.20	9.19	10.85	12.55
60	-	-	-	-	-	4.75	6.20	8.23	9.87	11.60
65	-	-	-	-	-	-	5.12	7.17	8.81	10.55
70	-	-	-	-	-	-	-	6.02	7.66	9.38
75	-	-	-	-	-	-	-	-	6.43	8.15
80	-	-	-	-	-	-	-	-	-	6.82

Standard length (mm): 2000 (0 + 60) - (3)

I.D. (mm)	Weights (1) (2) - (kg/piece)									
	O.D. (mm)									
	100	105	110	115	120	125	130	135	140	150
35	17.70	19.60	21.35	23.85	-	-	-	-	-	-
40	17.10	18.95	20.75	23.25	25.20	28.30	30.65	-	-	-
45	16.40	18.30	20.05	22.55	24.50	27.60	29.95	32.10	34.65	41.35
50	15.65	17.50	19.25	21.80	23.75	26.85	29.20	31.35	33.85	40.55
55	14.75	16.60	18.40	20.95	22.90	25.95	28.35	30.45	33.00	39.70
60	13.80	15.65	17.45	20.00	21.95	25.00	27.40	29.50	32.05	38.75
65	12.75	14.60	16.35	18.95	20.90	24.00	26.35	28.50	31.00	37.70
70	11.60	13.45	15.20	17.80	19.75	22.85	25.20	27.35	29.90	36.60
75	10.35	12.20	14.00	16.60	18.55	21.65	24.00	26.10	28.65	35.35
80	9.01	10.85	12.65	15.30	17.20	20.30	22.70	24.80	27.35	34.05
85	7.59	9.45	11.25	13.90	15.80	18.90	21.30	23.40	25.95	32.65
90	-	7.94	9.73	12.40	14.35	17.45	19.80	21.90	24.45	31.15
95	-	-	8.13	10.80	12.75	15.85	18.20	20.35	22.85	29.60
100	-	-	-	9.13	11.10	14.15	16.55	18.65	21.20	27.90
105	-	-	-	-	9.31	12.40	14.80	16.90	19.45	26.15
110	-	-	-	-	-	10.55	12.95	15.05	17.60	24.30
115	-	-	-	-	-	-	11.00	13.10	15.65	22.35
120	-	-	-	-	-	-	-	11.10	13.60	20.30
125	-	-	-	-	-	-	-	-	11.50	18.20
130	-	-	-	-	-	-	-	-	-	16.00
135	-	-	-	-	-	-	-	-	-	13.70

Standard length (mm): 2000 (0 + 60) - (3)

- (*) : for product codes and tolerances on the diameters: see page 27.
(1) : the weights figuring in the tables are the average production weights of the ERTALON 6 PLA, ERTALON 6 XAU+ and NYLATRON MC 901 tubes. For the ERTALON LFX, resp. NYLATRON GSM, resp. NYLATRON NSM tubes, these weights have to be multiplied with the factors 0.987, resp. 1.004, resp. 0.996.
(2) : the weight-figures in bold face type refer to the **standard** sizes of the ERTALON 6 PLA natural and 6 XAU+ tubes (available from stock or with short delivery time). The other sizes as well as all the ERTALON 6 PLA black, ERTALON LFX and NYLATRON tubes are manufactured on request.
(3) : the standard length of the NYLATRON GSM tubes up to and including O.D. 70 mm as well as of all NYLATRON NSM tubes is 1000 mm.



tubes (*)

I.D. (mm)	Weights (1) (2) - (kg/piece)												
	O.D. (mm)												
	155	160	170	180	190	200	210	220	225	230	240	250	260
50	21.25	22.80	25.95	-	-	-	-	-	-	-	-	-	-
55	20.85	22.40	25.55	-	-	-	-	-	-	-	-	-	-
60	20.40	21.90	25.05	28.50	-	-	-	-	-	-	-	-	-
65	19.85	21.40	24.55	28.00	31.65	-	-	-	-	-	-	-	-
70	19.30	20.85	24.00	27.45	31.10	34.80	38.70	-	-	-	-	-	-
75	18.70	20.25	23.40	26.80	30.50	34.20	38.10	-	-	-	-	-	-
80	18.05	19.60	22.75	26.20	29.85	33.55	37.50	-	-	-	-	-	-
85	17.35	18.90	22.05	25.50	29.15	32.85	36.80	-	-	-	-	-	-
90	16.60	18.15	21.30	24.75	28.45	32.10	36.05	-	-	-	-	-	-
95	15.85	17.40	20.55	23.95	27.65	31.35	35.30	40.00	-	-	-	-	-
100	15.00	16.55	19.70	23.15	26.85	30.50	34.45	39.20	-	-	-	-	-
105	14.15	15.65	18.85	22.25	25.95	29.65	33.60	38.30	-	-	-	-	-
110	13.20	14.75	17.90	21.35	25.05	28.75	32.70	37.40	39.70	-	-	-	-
115	12.25	13.80	16.95	20.40	24.10	27.80	31.70	36.45	38.75	-	-	-	-
120	11.25	12.80	15.95	19.35	23.10	26.80	30.70	35.45	37.75	39.95	-	-	-
125	10.20	11.75	14.90	18.30	22.05	25.75	29.65	34.40	36.70	38.90	-	-	-
130	9.10	10.65	13.80	17.20	20.95	24.65	28.60	33.30	35.65	37.80	-	-	-
135	7.95	9.49	12.65	16.05	19.80	23.50	27.45	32.15	34.50	36.70	-	-	-
140	-	8.30	11.45	14.90	18.65	22.30	26.25	31.00	33.35	35.50	39.90	-	-
145	-	-	10.20	13.65	17.40	21.10	25.05	29.75	32.10	34.30	38.70	-	-
150	-	-	8.95	12.35	16.15	19.80	23.75	28.50	30.85	33.05	37.45	-	-
155	-	-	-	11.05	14.80	18.50	22.45	27.15	29.55	31.75	36.10	-	-
160	-	-	-	9.68	13.45	17.15	21.10	25.80	28.20	30.40	34.75	39.40	-
165	-	-	-	-	12.05	15.75	19.65	24.40	26.80	29.00	33.35	38.00	-
170	-	-	-	-	10.60	14.30	18.20	22.95	25.35	27.55	31.90	36.55	-
175	-	-	-	-	-	12.80	16.70	21.45	23.85	26.05	30.45	35.05	40.35
180	-	-	-	-	-	11.25	15.20	19.90	22.30	24.50	28.90	33.50	38.85
185	-	-	-	-	-	-	13.60	18.30	20.75	22.95	27.30	31.95	37.30
190	-	-	-	-	-	-	11.95	16.70	19.10	21.30	25.70	30.30	35.65
195	-	-	-	-	-	-	-	15.00	17.45	19.65	24.05	28.65	34.00
200	-	-	-	-	-	-	-	13.30	15.75	17.95	22.30	26.95	32.30
205	-	-	-	-	-	-	-	-	14.00	16.15	20.55	25.15	30.55
210	-	-	-	-	-	-	-	-	-	14.35	18.75	23.35	28.80
215	-	-	-	-	-	-	-	-	-	-	16.90	21.50	26.95
220	-	-	-	-	-	-	-	-	-	-	15.00	19.65	25.05
225	-	-	-	-	-	-	-	-	-	-	-	17.70	23.15
230	-	-	-	-	-	-	-	-	-	-	-	15.70	21.15
235	-	-	-	-	-	-	-	-	-	-	-	-	19.15

Standard length (mm): 1000 (0 + 40)

- (*) : for product codes and tolerances on the diameters: see page 27.
 (1) : the weights figuring in the tables are the average production weights of the ERTALON 6 PLA, ERTALON 6 XAU+ and NYLATRON MC 901 tubes. For the ERTALON LFX, resp. NYLATRON GSM, resp. NYLATRON NSM tubes, these weights have to be multiplied with the factors 0.987, resp. 1.004, resp. 0.996.
 (2) : the weight-figures in bold face type refer to the **standard** sizes of the ERTALON 6 PLA natural and 6 XAU+ tubes (available from stock or with short delivery time). The other sizes as well as all the ERTALON 6 PLA black, ERTALON LFX and NYLATRON tubes are manufactured on request.



ERTALON 6 PLA natural / black
ERTALON 6 XAU+
ERTALON LFX

NYLATRON MC 901
NYLATRON GSM
NYLATRON NSM

tubes (*)

I.D. (mm)	Weights (1) - (kg/piece)												
	O.D. (mm)												
	220	225	230	240	250	260	270	275	280	290	300	325	350
70	26.45	27.80	29.10	31.80	34.60	37.70	40.65	42.55	43.95	47.05	-	-	-
75	26.05	27.40	28.75	31.40	34.25	37.35	40.30	42.20	43.60	46.70	-	-	-
80	25.65	27.05	28.35	31.05	33.85	36.95	39.90	41.85	43.20	46.35	49.75	58.85	-
85	25.25	26.60	27.95	30.60	33.45	36.55	39.50	41.45	42.80	45.95	49.35	58.45	-
90	24.80	26.20	27.50	30.20	33.00	36.10	39.05	41.00	42.40	45.50	48.95	58.05	67.75
95	-	25.70	27.05	29.70	32.50	35.65	38.60	40.55	41.90	45.05	48.45	57.55	67.30
100	-	25.20	26.55	29.20	32.05	35.15	38.10	40.05	41.45	44.55	48.00	57.10	66.80
105	-	24.70	26.05	28.70	31.50	34.65	37.60	39.55	40.90	44.05	47.45	56.60	66.30
110	-	-	25.50	28.15	30.95	34.10	37.05	39.00	40.40	43.50	46.90	56.05	65.75
115	-	-	24.90	27.55	30.40	33.55	36.50	38.40	39.80	42.95	46.35	55.50	65.20
120	-	-	-	26.95	29.75	32.95	35.90	37.85	39.20	42.35	45.75	54.90	64.60
125	-	-	-	26.35	29.15	32.30	35.25	37.20	38.60	41.70	45.15	54.30	64.00
130	-	-	-	25.70	28.50	31.65	34.60	36.55	37.95	41.05	44.50	53.65	63.35
135	-	-	-	25.00	27.80	31.00	33.95	35.85	37.25	40.40	43.80	52.95	62.65
140	-	-	-	-	27.10	30.30	33.20	35.15	36.55	39.65	43.10	52.25	61.95
145	-	-	-	-	26.35	29.55	32.50	34.45	35.80	38.95	42.35	51.55	61.25
150	-	-	-	-	25.55	28.80	31.75	33.65	35.05	38.15	41.60	50.80	60.50
155	-	-	-	-	24.80	28.00	30.95	32.90	34.25	37.40	40.80	50.00	59.70
160	-	-	-	-	-	27.20	30.10	32.05	33.45	36.55	40.00	49.20	58.90
165	-	-	-	-	-	26.35	29.30	31.20	32.60	35.75	39.15	48.35	58.05
170	-	-	-	-	-	25.45	28.40	30.35	31.75	34.85	38.25	47.50	57.20
175	-	-	-	-	-	-	27.50	29.45	30.85	33.95	37.40	46.60	56.30
180	-	-	-	-	-	-	26.60	28.50	29.90	33.05	36.45	45.70	55.40
185	-	-	-	-	-	-	25.65	27.55	28.95	32.10	35.50	44.75	54.45
190	-	-	-	-	-	-	24.65	26.60	27.95	31.10	34.50	43.75	53.45
195	-	-	-	-	-	-	23.65	25.60	26.95	30.10	33.50	42.75	52.45
200	-	-	-	-	-	-	22.60	24.55	25.95	29.05	32.45	41.75	51.45
205	-	-	-	-	-	-	21.55	23.50	24.85	28.00	31.40	40.65	50.40
210	-	-	-	-	-	-	20.45	22.40	23.80	26.90	30.30	39.60	49.30
215	-	-	-	-	-	-	19.35	21.30	22.65	25.80	29.20	38.50	48.20
220	-	-	-	-	-	-	18.20	20.15	21.50	24.65	28.05	37.35	47.05
225	-	-	-	-	-	-	17.00	18.95	20.35	23.45	26.90	36.20	45.90
230	-	-	-	-	-	-	15.80	17.75	19.15	22.25	25.70	35.00	44.70
235	-	-	-	-	-	-	14.60	16.55	17.90	21.05	24.45	33.75	43.45
240	-	-	-	-	-	-	13.35	15.30	16.65	19.80	23.20	32.50	42.20
245	-	-	-	-	-	-	12.05	14.00	15.40	18.50	21.90	31.25	40.95
250	-	-	-	-	-	-	-	12.70	14.05	17.20	20.60	29.95	39.65
255	-	-	-	-	-	-	-	-	12.75	15.85	19.30	28.30	38.30
260	-	-	-	-	-	-	-	-	-	14.50	17.90	27.25	36.95
265	-	-	-	-	-	-	-	-	-	13.10	16.50	25.85	35.55
270	-	-	-	-	-	-	-	-	-	-	15.10	24.45	34.15
275	-	-	-	-	-	-	-	-	-	-	13.65	23.00	32.70
280	-	-	-	-	-	-	-	-	-	-	-	21.55	31.25
285	-	-	-	-	-	-	-	-	-	-	-	20.05	29.75
290	-	-	-	-	-	-	-	-	-	-	-	18.55	28.25
295	-	-	-	-	-	-	-	-	-	-	-	17.00	26.70
300	-	-	-	-	-	-	-	-	-	-	-	15.40	25.10
305	-	-	-	-	-	-	-	-	-	-	-	-	23.50
310	-	-	-	-	-	-	-	-	-	-	-	-	21.90
315	-	-	-	-	-	-	-	-	-	-	-	-	20.20
320	-	-	-	-	-	-	-	-	-	-	-	-	18.55
325	-	-	-	-	-	-	-	-	-	-	-	-	16.85

Standard length (mm): 600 (0 + 40)

ERTALON® & NYLATRON®



tubes (*)

I.D. (mm)	Weights (1) - (kg/piece)									
	O.D. (mm)									
	375	400	425	450	475	500	525	550	575	600
100	77.55	-	-	-	-	-	-	-	-	-
110	76.50	87.55	-	-	-	-	-	-	-	-
120	75.35	86.40	98.90	111.1	125.0	-	-	-	-	-
130	74.10	85.15	97.65	109.8	123.7	-	-	-	-	-
140	72.70	83.75	96.30	108.5	122.3	-	-	-	-	-
150	71.25	82.30	94.85	107.0	120.9	-	-	-	-	-
160	69.65	80.70	93.25	105.4	119.3	-	-	-	-	-
170	67.95	79.00	91.60	103.8	117.6	-	-	-	-	-
180	66.15	77.20	89.80	102.0	115.8	-	-	-	-	-
190	64.20	75.25	87.85	100.1	113.9	-	-	-	-	-
200	62.20	73.25	85.85	98.05	111.8	126.9	-	-	-	-
210	60.05	71.10	83.75	95.90	109.7	124.7	-	-	-	-
220	57.80	68.85	81.50	93.70	107.5	122.5	-	-	-	-
230	55.45	66.50	79.15	91.35	105.1	120.1	-	-	-	-
240	52.95	64.05	76.70	88.90	102.7	117.7	-	-	-	-
250	50.40	61.45	74.15	86.30	100.1	115.1	-	-	-	-
260	47.70	58.75	71.45	83.65	97.40	112.4	-	-	-	-
270	44.90	55.95	68.70	80.85	94.60	109.6	126.1	-	-	-
280	42.00	53.05	65.80	77.95	91.70	106.7	123.2	-	-	-
290	39.00	50.05	62.80	74.95	88.70	103.7	120.2	-	-	-
300	35.85	46.90	59.70	71.85	85.55	100.6	117.1	-	-	-
310	32.65	43.70	56.45	68.65	82.35	97.35	113.9	-	-	-
320	29.30	40.35	53.15	65.30	79.00	94.00	110.6	126.7	-	-
330	25.85	36.90	49.70	61.85	75.55	90.55	107.1	123.3	-	-
340	22.25	33.35	46.15	58.30	71.95	87.00	103.6	119.7	-	-
350	18.60	29.65	42.50	54.65	68.30	83.35	99.90	116.1	-	-
360	-	25.85	38.70	50.90	64.50	79.55	96.15	112.3	-	-
370	-	22.00	34.85	47.00	60.60	75.65	92.30	108.4	124.6	-
380	-	-	30.85	43.05	56.60	71.65	88.30	104.4	120.6	-
390	-	-	26.75	38.95	52.50	67.55	84.20	100.3	116.5	-
400	-	-	22.55	34.75	48.30	63.30	80.00	96.15	112.3	-
410	-	-	-	30.40	43.95	59.00	75.70	91.80	108.0	125.6
420	-	-	-	26.00	39.50	54.55	71.25	87.40	103.6	121.1
430	-	-	-	-	34.95	50.00	66.70	82.85	99.05	116.6
440	-	-	-	-	30.30	45.35	62.05	78.20	94.40	111.9
450	-	-	-	-	-	40.55	57.30	73.45	89.65	107.2
460	-	-	-	-	-	35.65	52.45	68.60	84.80	102.3
470	-	-	-	-	-	30.70	47.50	63.60	79.80	97.35
480	-	-	-	-	-	-	42.40	58.55	74.75	92.25
490	-	-	-	-	-	-	37.20	53.35	69.55	87.05
500	-	-	-	-	-	-	-	48.05	64.25	81.75
510	-	-	-	-	-	-	-	42.60	58.80	76.35
520	-	-	-	-	-	-	-	37.10	53.30	70.85
530	-	-	-	-	-	-	-	-	47.65	65.20
540	-	-	-	-	-	-	-	-	41.90	59.45
550	-	-	-	-	-	-	-	-	-	53.60
560	-	-	-	-	-	-	-	-	-	47.65
570	-	-	-	-	-	-	-	-	-	41.55

Standard length (mm): 600 (0 + 40)

(*) : for product codes and tolerances on the diameters: see page 27.
(1) : the weights figuring in the tables are the average production weights of the ERTALON 6 PLA, ERTALON 6 XAU+ and NYLATRON MC 901 tubes. For the ERTALON LFX, resp. NYLATRON GSM, resp. NYLATRON NSM tubes, these weights have to be multiplied with the factors 0.987, resp. 1.004, resp. 0.996.



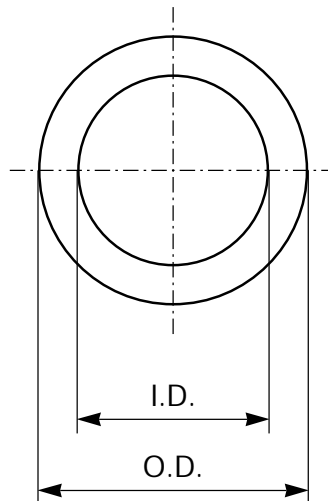
tubes

PRODUCT CODES: ERTALON 6 PLA natural
 ERTALON 6 PLA black
 ERTALON 6 XAU+
 ERTALON LFX
 NYLATRON MC 901
 NYLATRON GSM
 NYLATRON NSM

- 40042007
- 40042107
- 40050007
- 40055007
- 40042207
- 40042307
- 40043507

TOLERANCES:

O.D. (mm)	Tolerances on the diameters (mm)	
	O.D.	I.D.
O.D. ≤ 60	+ 3	- 0.8
	+ 0.8	- 4 (*)
60 < O.D. ≤ 80	+ 3.5	- 0.8
	+ 0.8	- 4 (*)
80 < O.D. ≤ 110	+ 4.5	- 1.6
	+ 1.2	- 6 (*)
110 < O.D. ≤ 150	+ 6	- 2
	+ 1.5	- 7.5 (*)
150 < O.D. ≤ 180	+ 7.5	- 2.2
	+ 1.8	- 8.5 (*)
180 < O.D. ≤ 220	+ 9	- 2.5
	+ 2	- 9.5 (*)
220 < O.D. ≤ 250	+ 10	- 3
	+ 3	- 11 (*)
250 < O.D. ≤ 300	+ 11	- 3.5
	+ 3	- 13 (*)
300 < O.D. ≤ 400	+ 13	- 3.5
	+ 3	- 15.5 (*)
400 < O.D. ≤ 500	+ 15	- 3.5
	+ 3	- 18 (*)
500 < O.D. ≤ 600	+ 20	- 4.5
	+ 5	- 20 (*)



(*) : due to the manufacturing process, the I.D. at the very ends of the tubes may be somewhat smaller (over a length of 2-10 mm, measured from the edge).